

High Resolution Mini Dome Camera  
**SID-53/56**

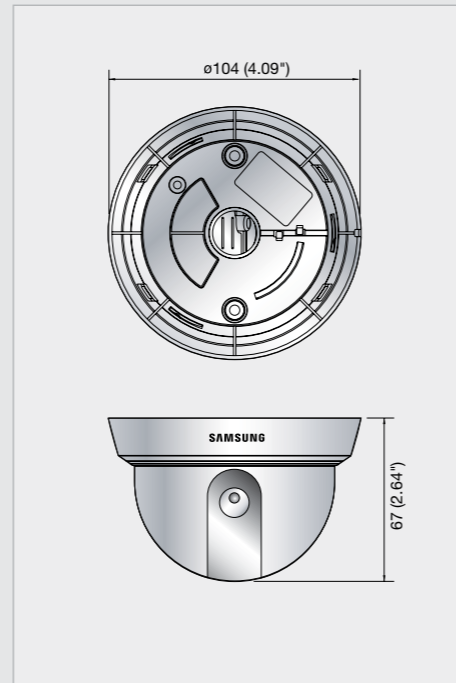


**Specifications**

Mode	SID-53N	SID-53P	SID-56N	SID-56P
Power Source	12V DC (±10%)			
Power Consumption	Max. 1.8W			
Image Pick-up Device	1/3" Super HAD CCD			
Total Pixels	811(H) x 508(V)	795(H) x 596(V)	811(H) x 508(V)	795(H) x 596(V)
Effective Pixels	768(H) x 494(V)	752(H) x 582(V)	768(H) x 494(V)	752(H) x 582(V)
Scanning System	2 : 1 Interlace	2 : 1 Interlace	2 : 1 Interlace	2 : 1 Interlace
	525 Lines / 60 Fields / 30 Frames	625 Lines / 50 Fields / 25 Frames	525 Lines / 60 Fields / 30 Frames	625 Lines / 50 Fields / 25 Frames
Synchronization	Internal			
Scanning Frequency	Horizontal : 15,734KHz	Horizontal : 15,625KHz	Horizontal : 15,734KHz	Horizontal : 15,625KHz
	Vertical : 59.94Hz	Vertical : 50Hz	Vertical : 59.94Hz	Vertical : 50Hz
Horizontal Resolution	580TV lines (Min.)			
Video Output	1.0Vp-p / 75Ω	1.0Vp-p / 75Ω	1.0Vp-p / 75Ω	1.0Vp-p / 75Ω
	(Video 0.714Vp-p, Sync 0.286Vp-p)	(Video 0.7Vp-p, Sync 0.3Vp-p)	(Video 0.714Vp-p, Sync 0.286Vp-p)	(Video 0.7Vp-p, Sync 0.3Vp-p)
Lens	Fixed : 3mm (F2.0), 120°		Fixed : 6mm (F2.5), 60°	
S / N Ratio (Y signal)	52dB (AGC off, Weight on)			
Min. Illumination	0.04Lux@F1.2 (Sens-up mode)			
Back Light Compensation	Auto			
Gain Control	Auto			
White Balance	Auto			
Electronic Shutter Speed	Auto			
Sens-up (Frame Integration)	Auto			
SSNR	Auto			
Sharpness	Auto			
Monitoring Angle	Horizontal : Manual 0° ~ 360° / Vertical : Manual 20° ~ 90°			
Operating Temperature	-10°C ~ +50°C			
Operating Humidity	30% ~ 80% RH			
Dimensions	Ø104(W) x 67(H)mm / Ø4.09"(W) x 2.64"(H)			
Weight	180g (0.4 lb)			

**Dimensions**

Unit : mm (inch)



**WIV**

Redefining  
What You Should Expect...



Unprecedented  
**580TV Lines Resolution**  
High Resolution Mini Dome Camera  
**SID-53/56**

imagine **Small yet Powerful**

SID-53/56, high-resolution mini dome cameras deliver outstanding images to your monitor. Utilizing our 4<sup>th</sup> generation WIV DSP, these cameras feature 580TV lines of resolution. You will enjoy low noise high quality color images because of advances in noise filtering technology. It is easy to install these palm size dome cameras, which blend well with any environment.



The Eco mark represents Samsung Techwin's will to create environment-friendly products, and indicates that the product satisfies the EU RoHS Directive.

Design and specifications are subject to change without notice.



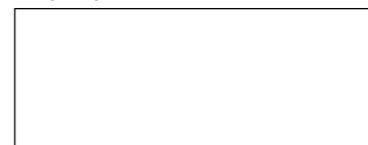
**SAMSUNG TECHWIN CO., LTD.**  
145-3, Sangdaewon 1-dong, Jungwon-gu, Seongnam-si, Gyeonggi-do Korea 462-703  
Tel : +82-31-740-8151-8 Fax : +82-31-740-8145  
www.samsungcctv.com

**SAMSUNG OPTO-ELECTRONICS AMERICA, LTD.**  
1480 Charles Willard St. Carson, CA 90746  
Tel : +1-310-632-1234 Fax : +1-310-632-2195

**SAMSUNG OPTO-ELECTRONICS UK, LTD.**  
Samsung House, 1000 Hillwood Drive,  
Hillwood Business Park Chertsey, Surrey KT16 0PS  
Tel : +44-1932-455312 Fax : +44-1932-455325

**TIANJIN SAMSUNG OPTO-ELECTRONICS CO., LTD.**  
7 Pingchang Rd., Nankai Dist. Tianjin 300190, P.R. China  
Tel : +86-22-2761-4724(33821) Fax : +86-22-2761-6514

■ DISTRIBUTED BY



I.D-0805

**SAMSUNG TECHWIN**







Compact Size  
with Superb Performance  
Revolutionary Combination of  
Design & Function

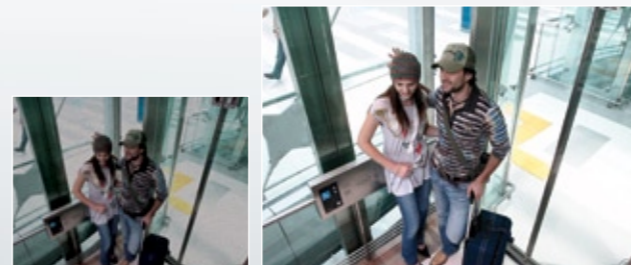
### High Resolution Mini Dome Camera **SID-53/56**

SID-53/56 mini dome cameras have been designed to generate outstanding images in various indoor installation environments. During the day you will enjoy discriminative images of unprecedented 580TV lines resolution and at night it will produce clear images in the dark. The low noise image saves DVR storage capacity and enables your system to record images for a longer term

### High Resolution

**580TVL** Unprecedented **580TV Lines** Resolution

SID-53/56 cameras produce high quality images of 580TV lines resolution applying Samsung Techwin's own image processing technology, which controls brightness signals precisely depending upon surveillance conditions.



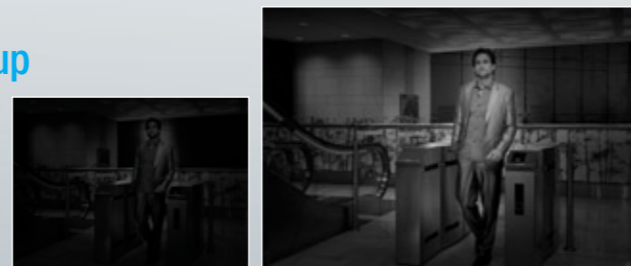
Conventional Camera

SID-53/56

### High Sensitivity

**0.04Lux** Minimum Illumination of **0.04Lux** with **Sens-up**

The SID-53/56 detects the slightest level of light even in an environment with a poorlight source, and can operate in an ultra low light level of 0.04Lux in color mode, by implementing Sens-up, frame integration functions.

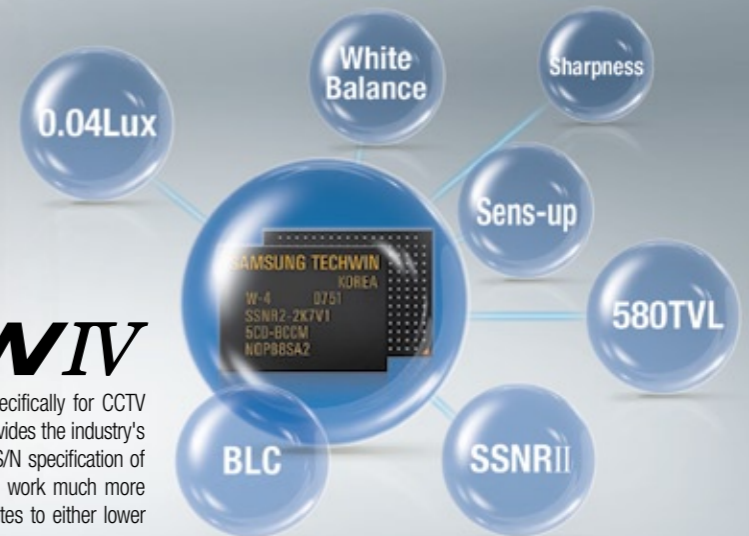


Conventional Camera

SID-53/56

Crystal clear images everywhere  
Compact Mini Dome

# SID-53/56



### Samsung Techwin's Exclusive DSP, **WIV**

The SID-53/56 series utilizes the WIV DSP developed by Samsung Techwin specifically for CCTV applications. The WIV is the fourth-generation chipset in the Winner series. WIV provides the industry's only 3D noise reduction technology (SSNRII) which produces an industry-leading S/N specification of 52dB. This noise reduction technology enables compression engines in DVRs to work much more efficiently, achieving as much as 70% reduction in recording space. This translates to either lower storage cost or significantly longer storage times.

### Super Noise Reduction

**SSNRII** Low Noise Clear Images with **SSNRII**

The advanced 3D noise filtering system in the SID-53/56 allows it to provide good color in much lower lighting levels. Reducing noise in the picture also reduces the amount of storage space required to record the video on a DVR. It also provides a signal to noise ratio of 52dB.



Conventional Camera

SID-53/56

### Wide View

**3mm/6mm** Wide Angle View with **3mm/6mm lenses**

The SID-53 comes with a 3mm fixed lens that provides a horizontal field of view of 120° which is ideal for small areas such as elevators. The SID-56 has a 6mm lens which affords a 60° horizontal field of view which is ideal for most indoor applications.



SID-56

SID-53

### Easy to Install

**Mount, Aim, Focus, and Walk Away**

There is no need to program or adjust camera settings such as exposure control or back light compensation. The SID-53/56 combines electronic shutter, frame integration, and backlight compensation with its advanced WIV DSP to automatically adjust to a wide range of indoor application conditions without the need for programming. Installation is literally just mount, aim, focus, and walk away.



### Advanced Features

**White Balance** Redefining what you should expect as standard features

The SID-53/56 includes many advanced features and performance normally found only in expensive system cameras :

- Electronic shutter
- Frame integration (sens-up)
- Backlight compensation (BLC)
- Wide range white balance



Normal

White Balance