

The FAAC logo is displayed in a white, stylized font against a dark blue rectangular background.

Hydraulic barrier system for
beams up to 4m

The text "615 Range" is presented in a white, sans-serif font inside a purple rounded rectangular box with a white border.

The **615 barrier system** has a neat slimline appearance, is robust and suited for moderate traffic application



Reliable. Affordable. Dependable.

The FAAC logo is shown in a dark blue, stylized font.

...Leading the way.



Excellence in Automation

615 Range

The 615 range is specifically designed for medium transit frequency. The FAAC 615 range is also available with an articulated beam for low ceilings. For rapid opening, the 615 Rapid version is ideal for beams up to 2.5m in length.

Total safety

Ideal for controlling small and medium private areas, the whole 615 range has an anti-crushing hydraulic safety device, a hydraulic lock to hold the barrier open or closed and a manual release by triangular key. Operational reliability is guaranteed through the combination of testing and quality assurance at ISO9001 registered standard.

Long Term Reliability

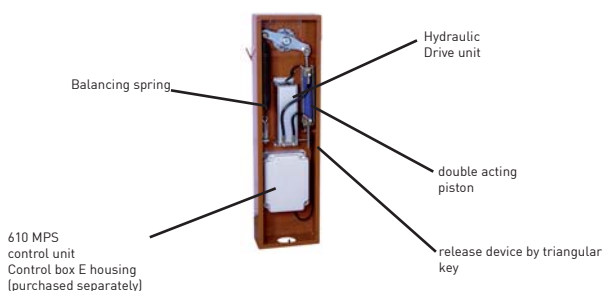
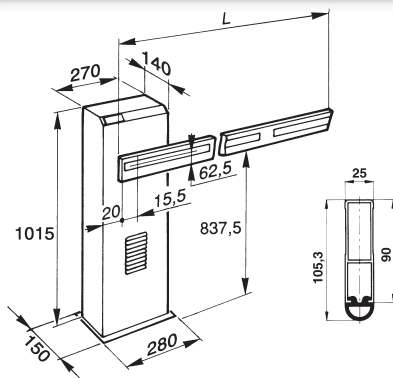
Use of cutting edge materials and treatments such as cataphoresis and niploy, plus tried and tested FAAC hydraulic technology all combine to ensure long-life.

Built in intelligence for increased flexibility

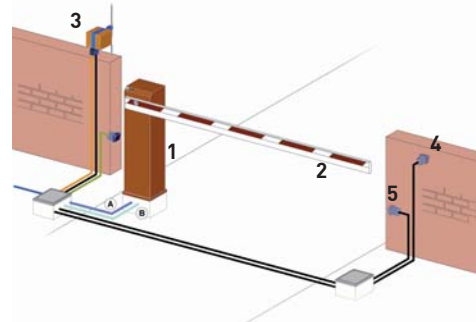
Microprocessor control and surface mount technology are the standard, providing outstanding performance from a compact system. There are 2 formats of control logic - automatic and semi-automatic.

Known for its extensive range of high quality products and innovative manufacturing techniques, FAAC continue to engineer reliable, versatile, cutting edge automation systems, chosen for residential and commercial installations on a worldwide basis. Providing high quality automation systems for gates, barriers, doors, parking and access control products, FAAC is the leading brand in the automation market.

Interior and Dimensions



Installation layout



1. FAAC 615 STD/610MPS control board
2. Beam
3. FAAC LIGHT
4. FAAC T10
5. FAAC FOTOSWITCH

Low voltage cabling		Power cabling (230V)	
A {	3 cables 3x 0.5	B {	1 cable 2x1.5+T
	1 cable 2x 0.5		1 cable 2x1.5
NB: Cable diameters in mm ²			

615 Technical Specifications

Power supply:	230v→+ 6%/-10% 50-60 Hz
Electric Motor:	Single phase, bi-directional
Absorbed power:	220W
Current drawn:	1A
Motor winding thermal cutout:	120°C
Anti Crush System:	Hydraulic valves (by-pass)
Duty Cycle:	50% 1.5 ltr standard 615 Standard - 220 continuous operations 40% 3 ltr rapid 615 Rapid - 340 continuous operations
Mechanical Deceleration:	Adjustable
Operating Temperature Range:	-20°C + 55°C
Weight of cabinet:	34Kg
Oil type:	FAAC HP Oil
Barrier Opening Times:	Standard - 6 secs Rapid - 3 secs
Beam Length:	Standard - 4m Rapid - 2.5m
Casing anti corrosion treatment:	cataphoresis
Finish:	polyester paint, RAL 2004
Housing protection:	IP44
Cooling:	forced ventilation
Optional accessories:	- skirt kit - fork support - automatic release solenoid valve - anti vandal valve

